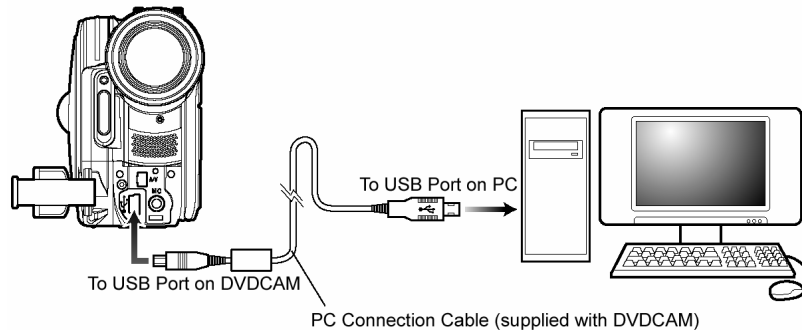


Exporting Still Picture from Movies Using DVD-MovieAlbumSE

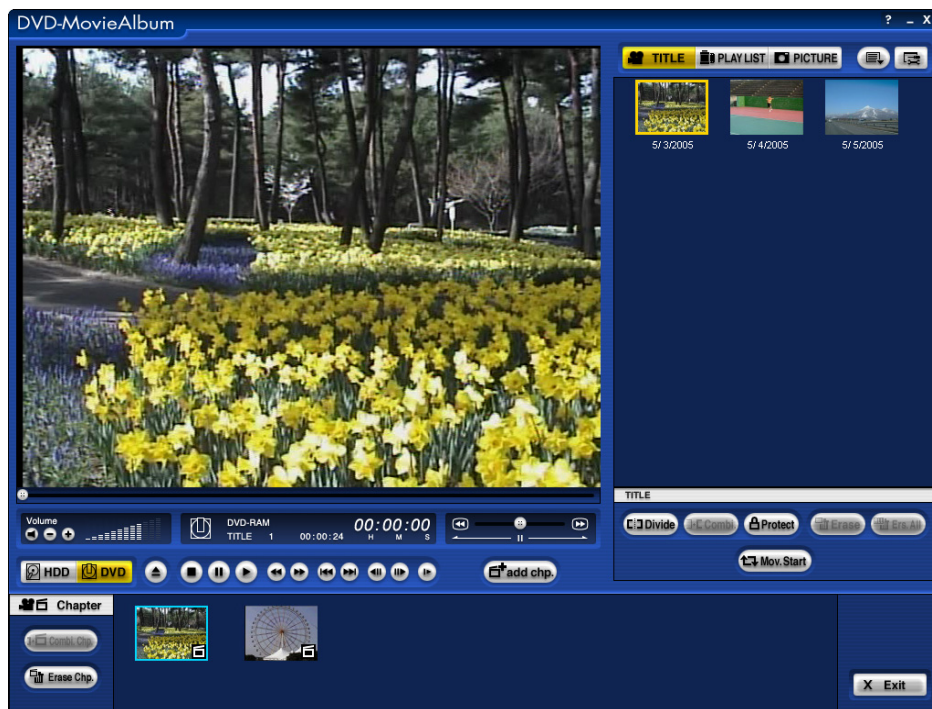
DVD-MovieAlbumSE allows you to export one scene as a still picture from movies. You can print or utilize exported still pictures with retail image editing software.


Step

1. Insert a DVD-RAM that you want to export into the DVDCAM, and then connect the DVDCAM into the USB port on PC, as shown in the figure below.



2. Turn the DVDCAM power switch to the video position.
3. Select a program or scene recorded on the DVD-RAM from which you export a still picture in the thumbnails.
4. Play back the movie, and then pause it where you want to export as a still picture.

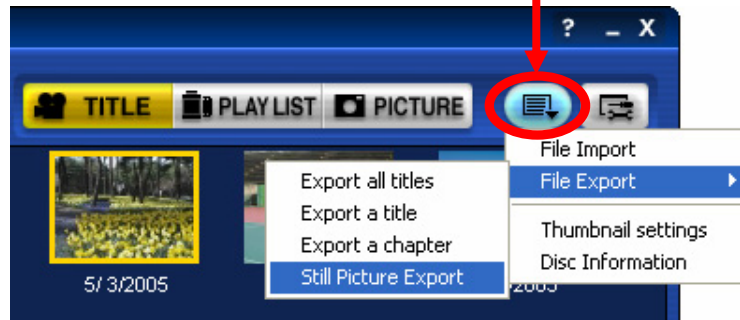


5. Click the auxiliary function button , and then click **File Export > Still Picture Export**.
The **Still Picture Export** dialog box appears and views the paused image.

Tip

You can adjust to a picture which you want to export by clicking the picture export adjustment buttons (left and right arrows) in the **Still Picture Export** dialog box,

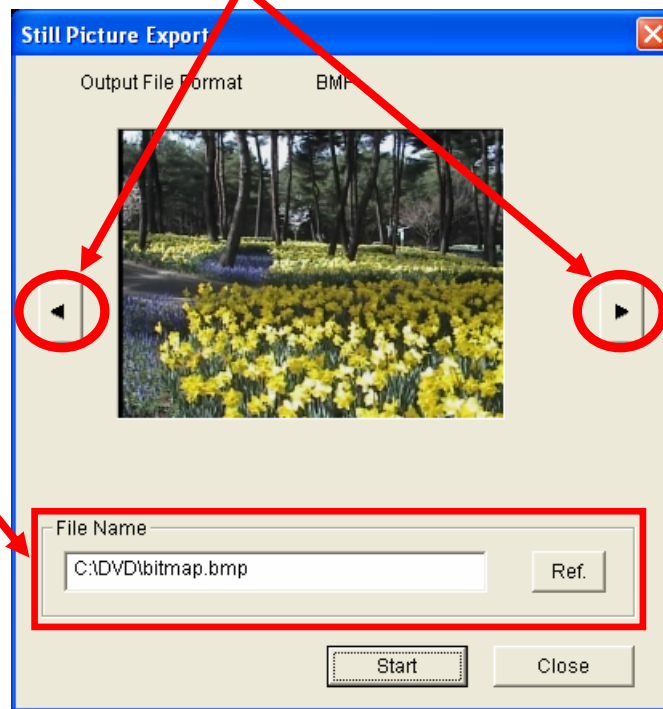
Click the auxiliary function button



Picture export adjustment buttons



Output location and file name setting



Still Picture Export Dialog Box

Tip

- 1) You can change the output location and file name indicated under **File Name** in the **Still Picture Export** dialog box. To change the output location and file name, press the **Ref.** button, specify a folder and file name, and then click the **Open** button.
- 2) The default output file name with an extension is "**bitmap.bmp**". You can modify the file name "**bitmap**".

Note

When exporting two or more still pictures, you must enter a unique file name for every still picture in order to prevent overwriting the file.

6. Click the **Start** button.
7. When exporting is completed with a message prompted, click **OK**.