

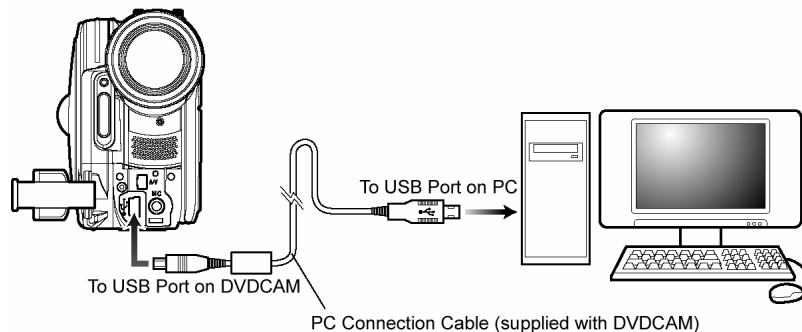
## Exporting Movies as MPEG-2 Files to PC

By using the Export function of DVD-MovieAlbumSE, images recorded by the DVDCAM can be exported as MPEG-2 files into PC.

MPEG-2 files exported by DVD-MovieAlbumSE can be used for creating a DVD video disc with DVDfunSTUDIO, played back and edited with retail software that supports the MPEG-2 files. DVD-MovieAlbumSE bundled with the DZ-GX20, DZ-MV780, and DZ-MV750 cannot play back and edit MPEG-2 files.

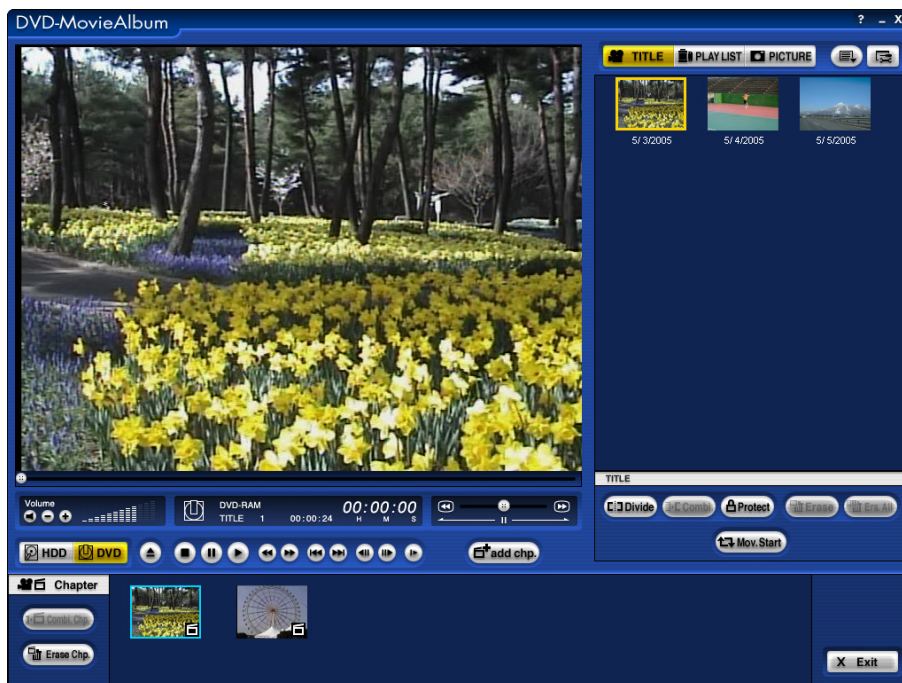
### Step

1. Insert a DVD-RAM that you want to edit into the DVDCAM, and then connect the DVDCAM into the USB port on PC, as shown in the figure below.



2. Turn the DVDCAM power switch to the video position.
3. Start DVD-MovieAlbumSE.

Thumbnails of movies recorded in the DVD-RAM disc are displayed. In the DVD-MovieAlbumSE window, you can cut scenes, sort scenes, and create play lists.



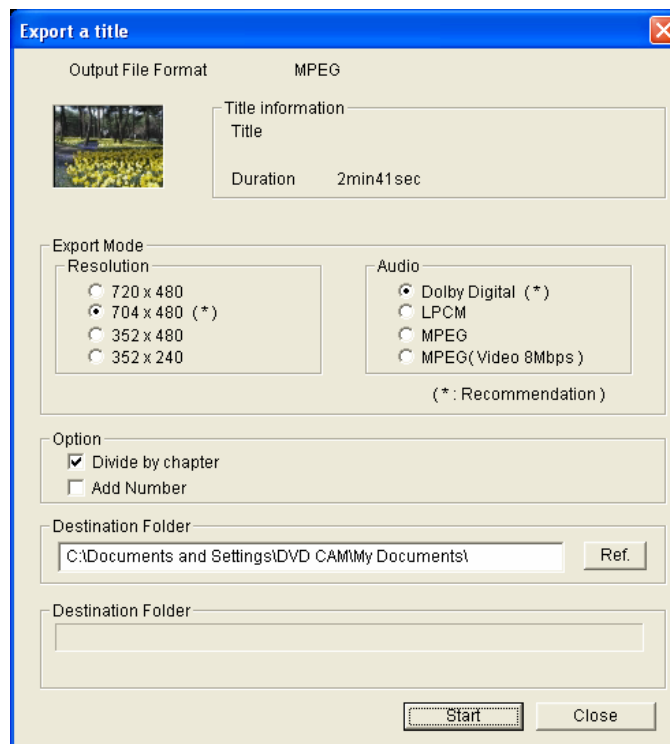
**DVD-MovieAlbumSE Initial Window**

4. Select a thumbnail of images to be exported, right-click the thumbnail, and then click **Export**.



5. In the **Export a title** dialog box as shown below, under **Resolution** and **Audio** in **Export Mode**, select a recommended resolution and audio format with "( \* )" indicated.

You can change the destination folder in where exported movie files are to be saved by using the **Ref.** button next to the **Destination Folder** box.



**Export a title Dialog Box**

**Note**

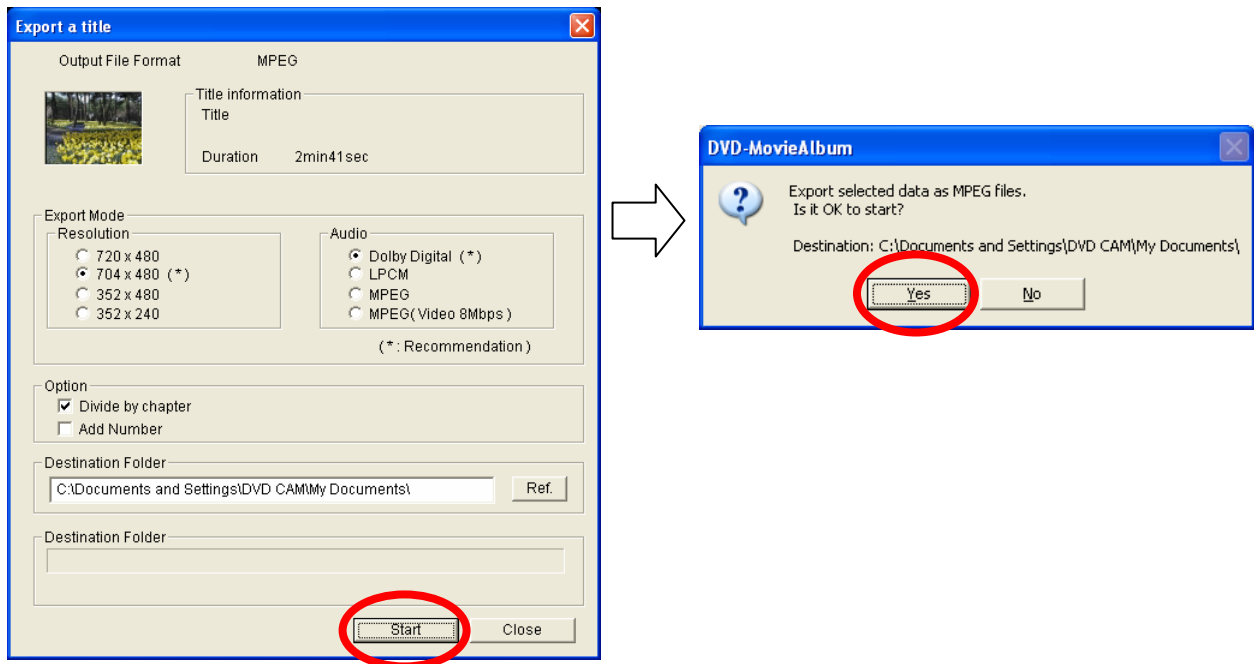
- 1) When the **Divide by chapter** check box under **Option** is selected, each scene in a program recorded by the DVDCAM is saved separately and exported faster. When the **Divide by chapter** check box is not selected, scenes are combined and saved into single movie file, and then exporting may take a longer time because the images are

re-encoded.

- 2) Exporting movies recorded in the XTRA mode that contain rapidly moving scenes may take a longer time regardless of selecting the **Divide by chapter** check box.
- 3) Movies into which multiple scenes were combined by the DVDCAM's DISC NAVIGATION are re-encoded and exporting takes a longer time.
- 4) The re-encoding may cause image degradation.

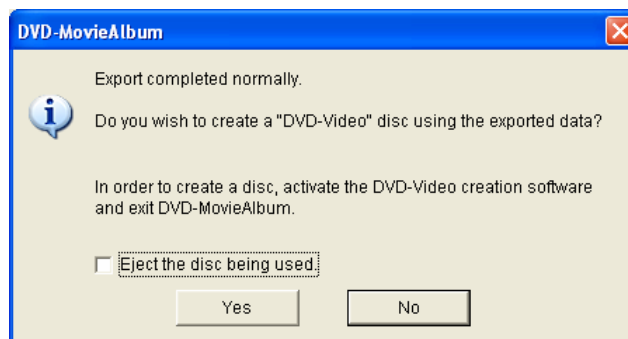
6. Click the **Start** button.

When you click the **Start** button, you are prompted to confirm exporting movies as MPEG files into the selected destination folder as the following shows, click **Yes** to start exporting.



7. When exporting completes, MPEG-2 files are saved into the destination folder, and then the dialog box as shown below appears. If you export additional movies as MPEG-2 files into PC, click **No** to return to the DVD-MovieAlbumSE main window, and then repeat Steps 1-6 above to export it.

When you click **Yes**, DVD-MovieAlbumSE automatically exits and then DVDfunSTUDIO starts in order to create a DVD video disc.



8. When you click **Yes** in the dialog box, as shown above, DVD-MovieAlbumSE automatically exits and then DVDfunSTUDIO starts in order to create a DVD video disc.